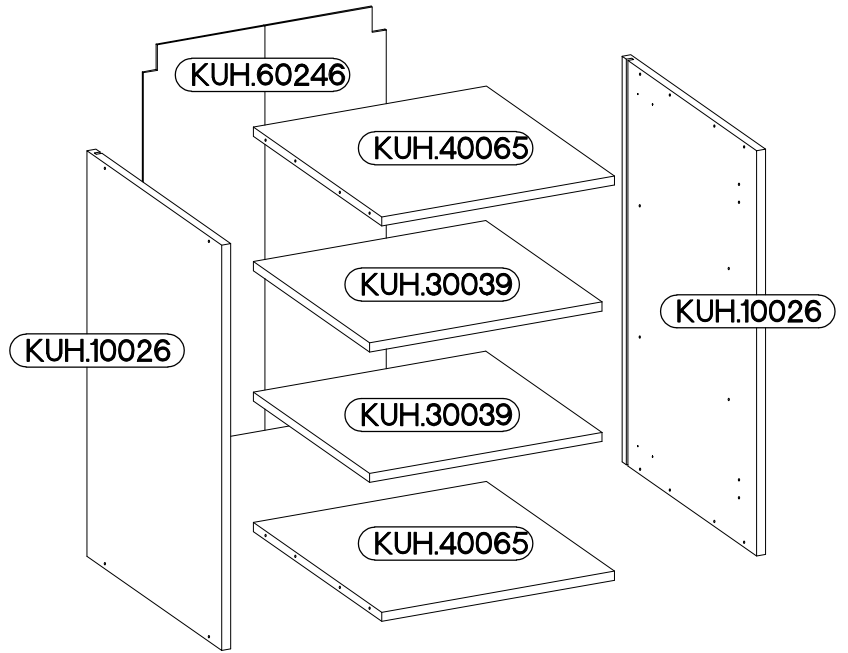
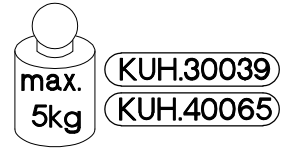
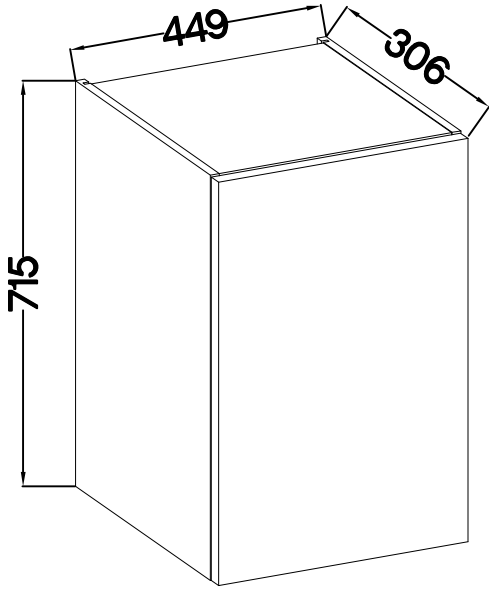
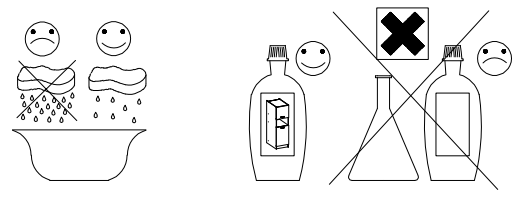
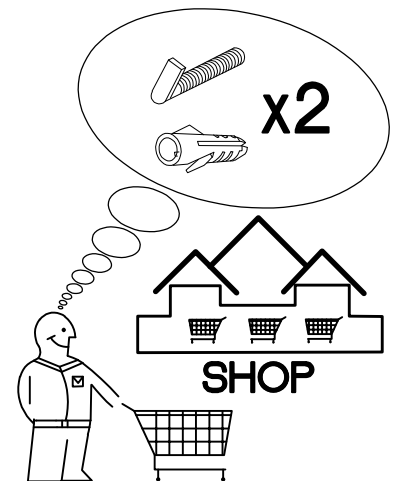


45 G-72 1F



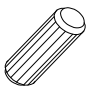
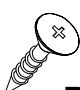
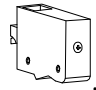
| Ersatzteil Nummer | Dimension |
|-------------------|-------------|
| KUH.10026 x2 | 715x290x16 |
| KUH.30039 x2 | 416x250x16 |
| KUH.40065 x2 | 417x276x16 |
| KUH.60246 | 713x435x2,5 |

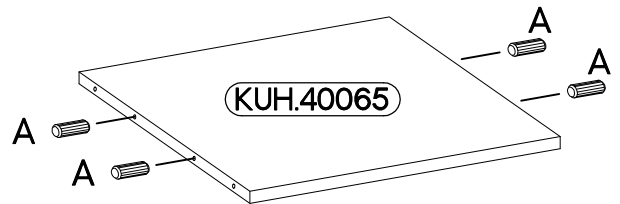
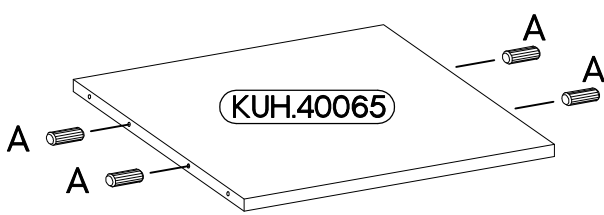
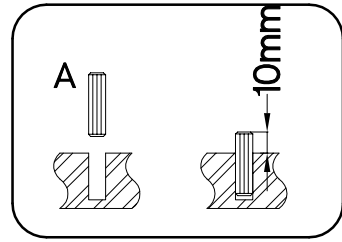
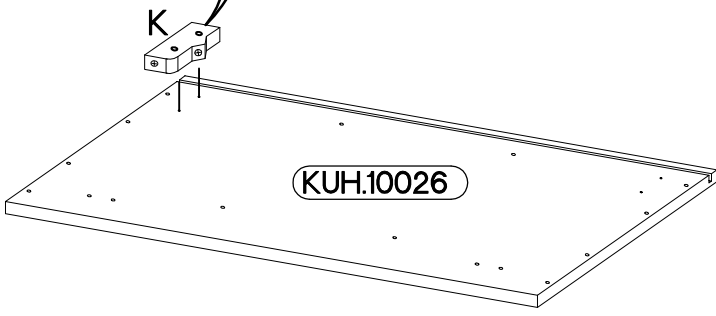
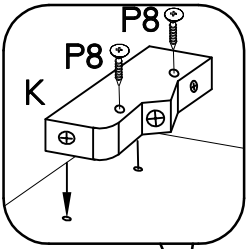
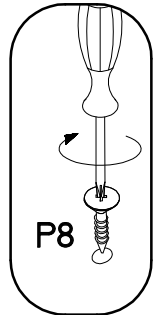
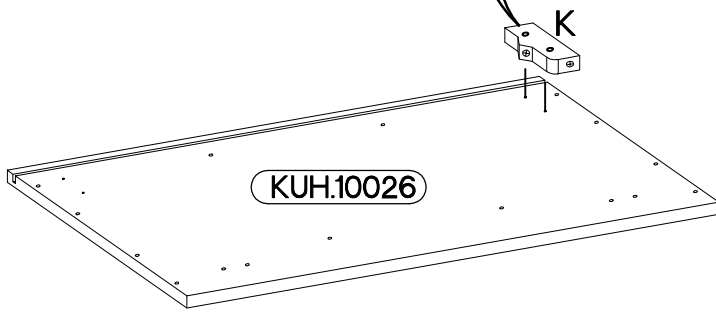
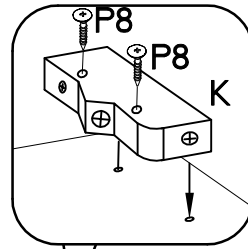
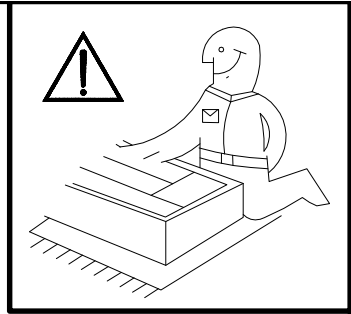
| | | | | | |
|----------------------------------|--------------------------------|----|-------------------------------------|-------------------------------------|-------------------------------------|
| $\pm 8 \times 30 \text{mm}$ A | $6,4 \times 50 \text{mm}$ B | E1 | $\pm 35 / 0 \text{mm}$ HG | | |
| 8 | 8 | 8 | 2 | | |
| J | K | O | $\pm 3,5 \times 13 \text{mm}$ P5 | $\pm 3,0 \times 20 \text{mm}$ P7 | $\pm 4,0 \times 30 \text{mm}$ P8 |
| 8 | 2 | 1 | 4 | 8-10 | 4 |




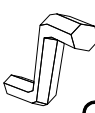
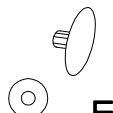
ISM-KUH-01616

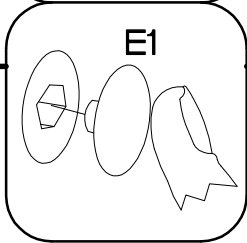
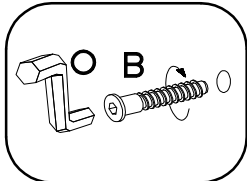
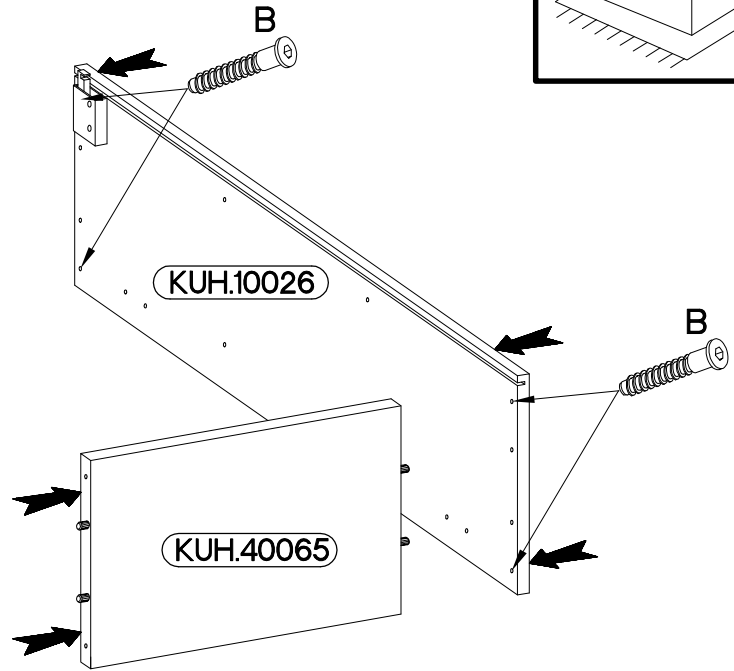
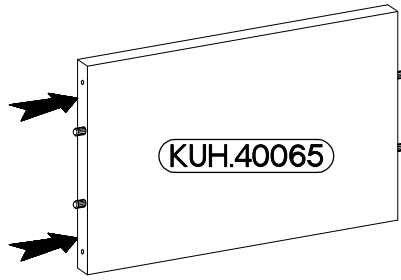
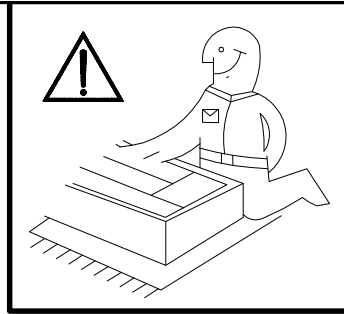
1

| | | |
|---|--|--|
| $\pm 8 \times 30 \text{mm}$  A 8 | $\pm 4.0 \times 30 \text{mm}$  P8 4 |  K 2 |
|---|--|--|

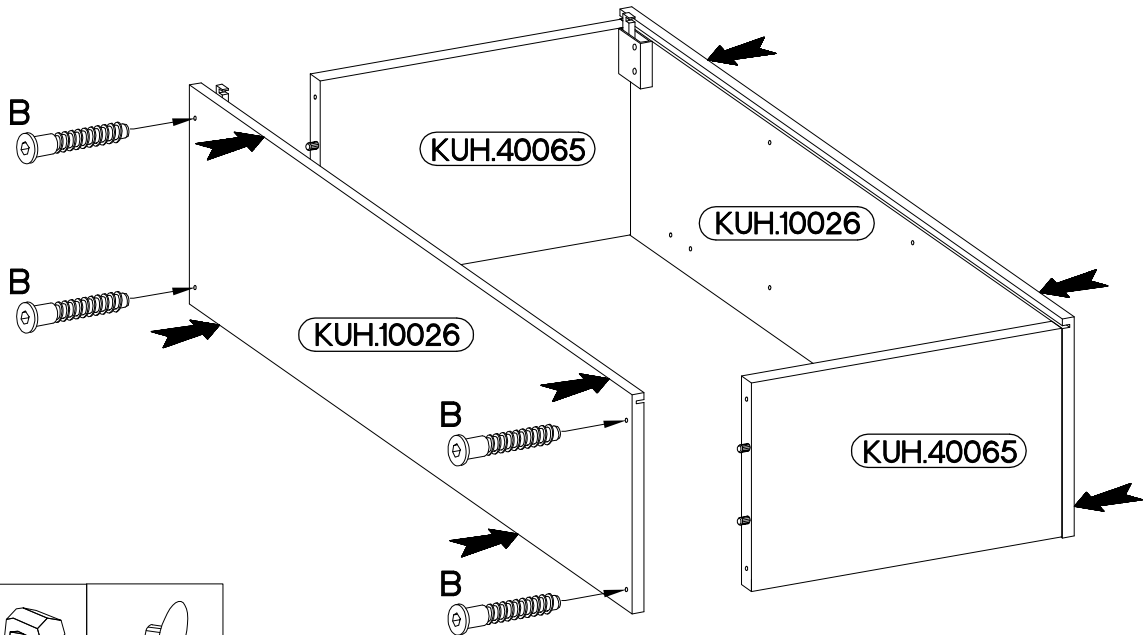


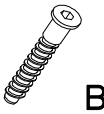
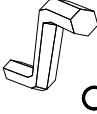
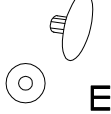
2

| | | |
|--|--|--|
| 6,4 x 50mm | | |
|  |  |  |
| B | O | E1 |
| 4 | 1 | 4 |

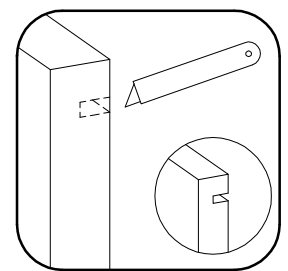
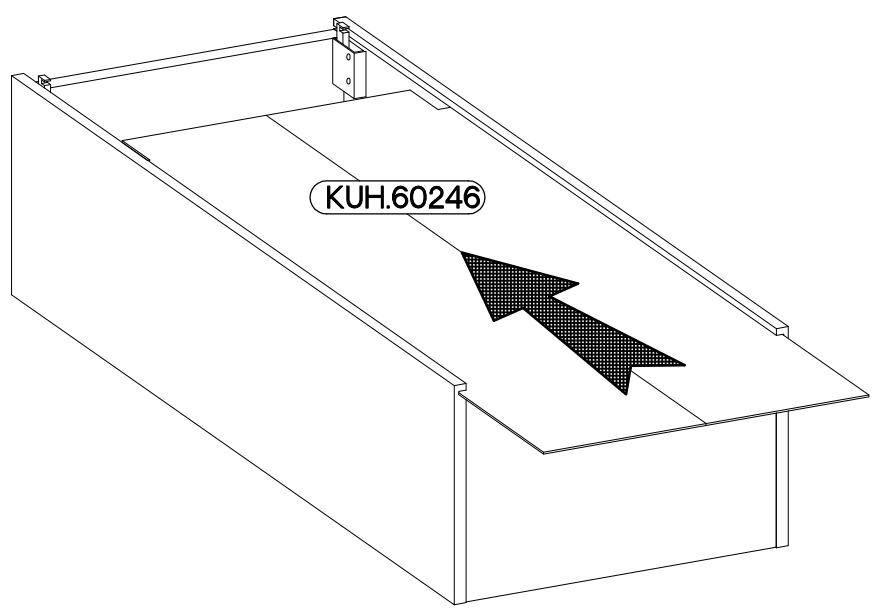
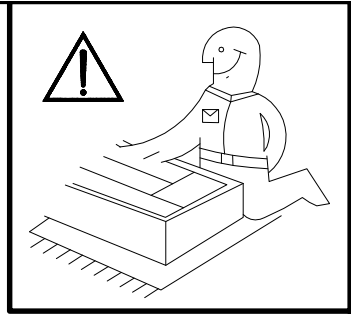


3

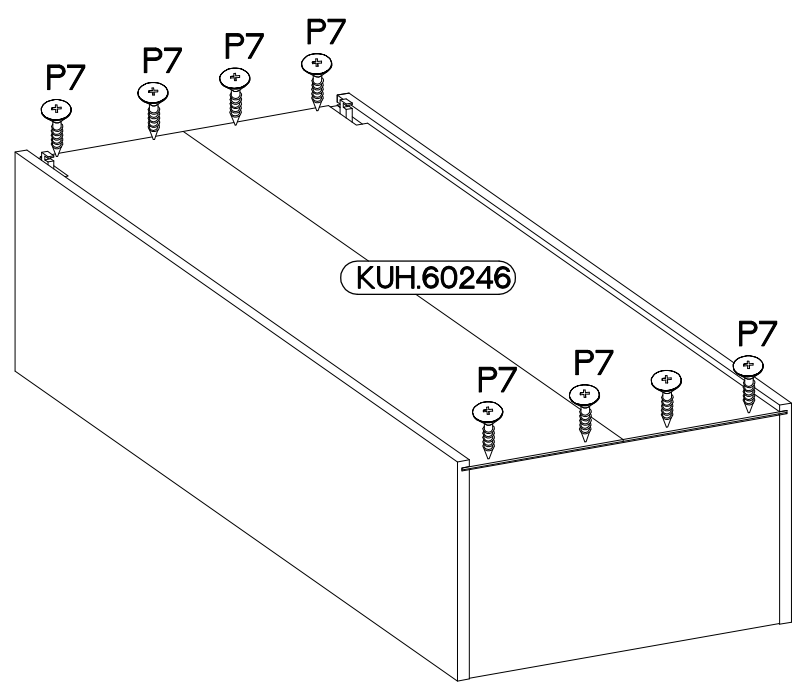
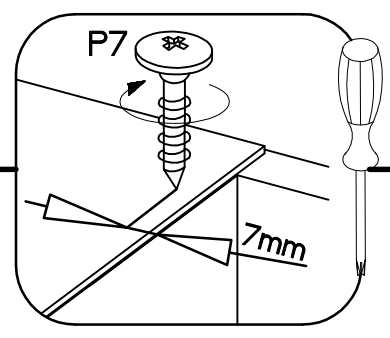
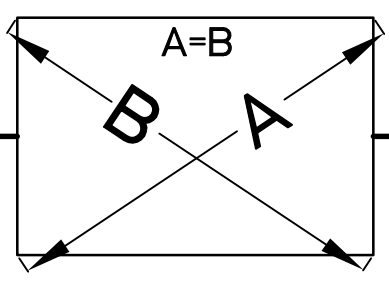
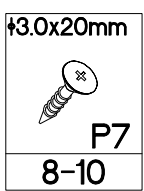


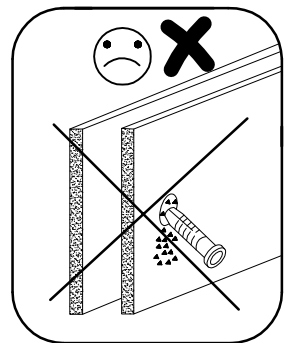
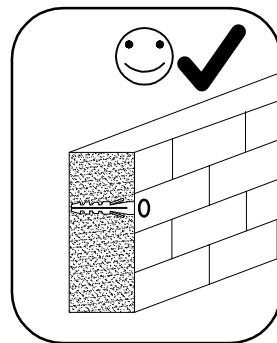
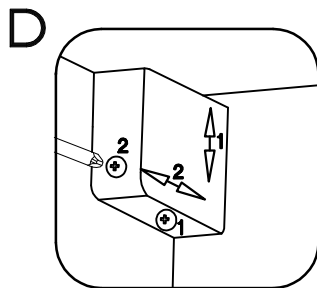
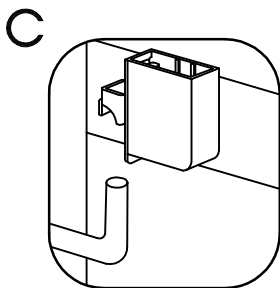
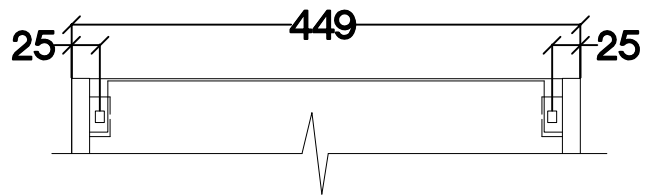
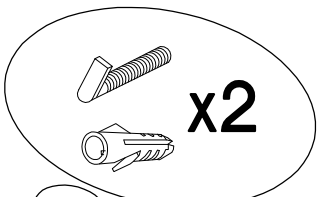
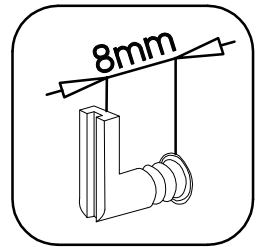
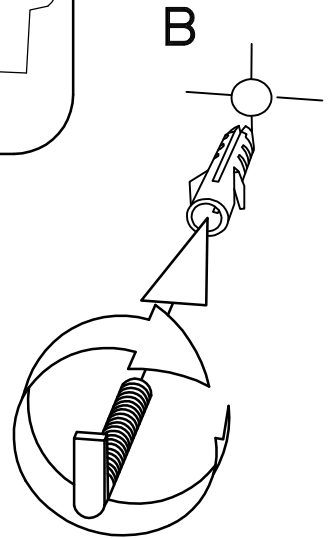
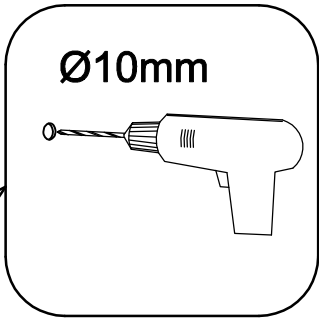
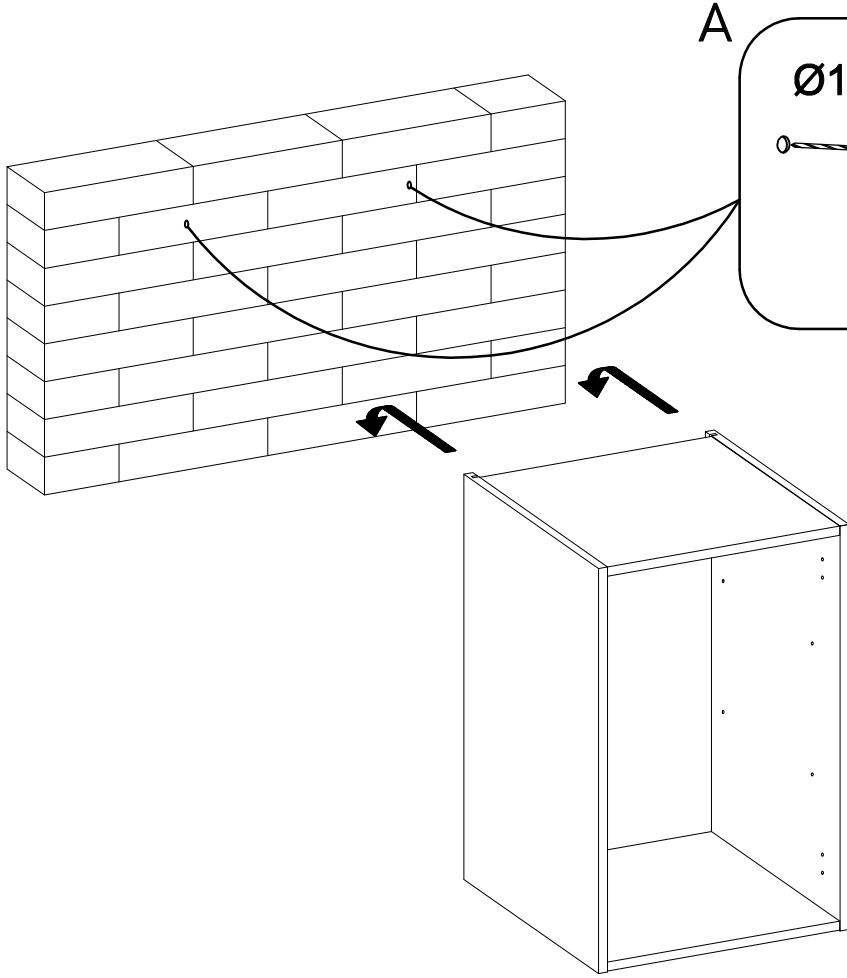
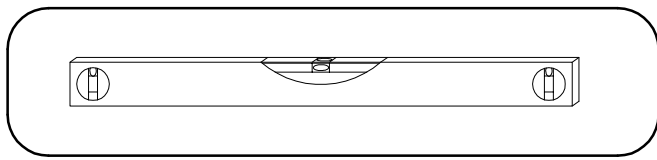
| | | |
|--|---|---|
| 6,4 x 50mm | | |
|  |  |  |
| B | O | E1 |
| 4 | 1 | 4 |

4

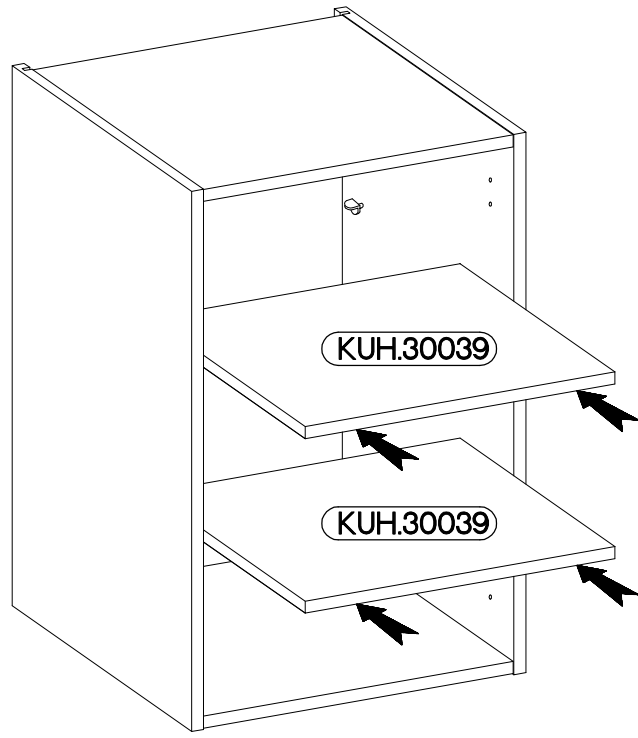
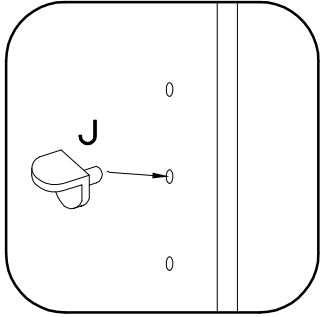
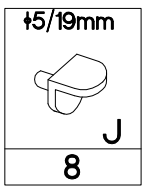


5





7



8

FRONT

